

Product Catalogue 2026



**Laboratory Equipment and
Consumable Supplies**



**Email: info@jlwsupplies.co.za
Tel: 021 300 2156
www.jlwsupplies.co.za**

INSTRUMENTATION



Autoclaves

SANS 347 Approved
Floor Standing , Benchtop and
Horizontal available
Range offered from 16 litre to
4275 litre
Pressure testing and AIA
recertification available



Bioreactor Systems

CELBIC – Single Use Cell
Culture System: By using
disposable cell culture bags, it
can reduce the risk of
contamination by 5-20% and
even reduce initial investment
costs, operating costs, and
environmental pollution.



Biosafety Cabinets

Various sizes and models
available
Class II Type A2/B2
User protection against
pathogens

Balances

Micro, Analytical, Precision and Moisture Balances
available

Internal/External calibration

Various display options from basic LED to touch screen

Various interfaces available USB and optional WIFI



Animal Behaviour Systems - Noldus Information Technology

DanioVision

A system for tracking zebrafish larvae and adult fish

Research Fields where it is used:

Neuroscience
Pharmacology
Toxicology
Veterinary Science
Entomology
Ethology



EthoVision XT

The most advanced tracking software with almost 30 year track record
and constant evolution

CatWalk XT

The ultimate tool for gait analysis

Various animal models from pain research to Parkinson's

Research area where it is used:

Spinal cord injuries
Parkinson
Allodynia
Arthritis
Peripheral Nerve injury
Traumatic Brain Injury
Huntington
Amyotrophic Lateral Sclerosis



PhenoTyper 2

The optimal environment for rodent behavioural research. It is an instrumented
home cage for behavioural observation of rodents, which includes amongst many
things, a camera, lighting feed, water and enrichment.





Bottletop Dispensers

Cover full range of sizes from 1-100ml
Max viscosity of 500mm²/s
GL45 Bottle top attachment and adapters
Fully Autoclavable at 121°C,



Colony Counters

Benchtop colony counter
Digital
Magnification
Audible counting



Conductivity Meters

Available in both Bench top and Portable options
Also available as multiparameter meters

Centrifuges

Large variety: Refrigerated centrifuges, Clinical centrifuges, microcentrifuges and floor-standing
Various Rotor options to choose from
Adaptors to accommodate all tubes and vessels
Floor standing mega centrifuges on request





Dissolved Oxygen Meters

Available in both Bench top and Portable options
Also available as multiparameter meters



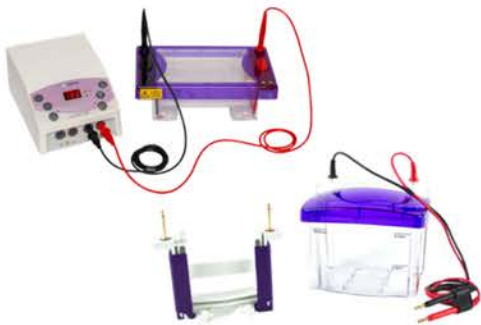
Dry Baths

Digital Display and timer
Single block and dual block options
Up to 120°C with overtemperature protection
Blocks for tubes available from 0.2ml to 50ml
Blocks for plates available 96 or 384 wells



Dry Baths Advanced

Available as only Heating or Heating and cooling options
Excellent accuracy
Optional shaking mechanism to 1500 Rpm
Over temperature protection
0.5/1.5 or 2ml tubes



Electrophoresis Systems

Available as horizontal or vertical gel systems
Blotting Systems also available
All sizes
Compatible with power supplies of most brands



Elisa Plate Washers

Various models to choose from to best suit your application
All CE and FDA approved



Elisa Readers

Various models to choose from to best suit your application
All CE and FDA approved



Environmental/ Climate Chambers

There are several types of climatic chambers, according to different requirements and to the type of test which must be carried out

Sizes varying from 25 Litre up to 2300 Litres application specific

Temperature between -40°C and 180°C application specific

Humidity from 0-98%

Lighting options available



Freeze Dryers

Widely used in drugs, biological products, chemical and food industries

Condenser temperature of -60°C

Optional functions and accessories available



Fume Hoods

Various sizes and models

Both ducted and non-ducted options

Polypropelene options available

Motorised sash window and all accessories included



Furnaces

Tube Furnaces and Muffle Furnaces working at various temperatures and available in various sizes.



Gel Documentation Systems

Numerous models to choose from

Economic to advanced systems available

Easy to operate and reliable results

Gene Electroporator

Electroporation of bacteria, yeast, and other microorganisms.

- Transfection of mammalian cells, plant tissues, and protoplasts.
- Cell hybridization and gene fusion.
- Introduction of marker genes for labeling and indicating purposes.
- Introduction of drugs, proteins, antibodies, and other molecules for studying cellular structure and function.



Gene Guns

Gene gun technology (particle bombardment) is a new gene introduction technique that accelerates micron-sized gold or tungsten particles encapsulated with nucleic acids to the desired speed to introduce genes into cells, tissues, organs and tissues. It can get instant stable and high efficient expression and transformation. It is fast, easy and safe. Available in Manual or High pressure gas gene gun

Grinder/Lyser- High throughput (Bead-type)

The high-throughput tissue lyser is a new generation of fast, efficient and safe grinding system. It supports the extraction and purification of raw DNA, RNA and proteins from soil, plant and animal tissue, bacteria, yeast, fungi, spores, paleontological specimens etc.

Supports dry, wet and mixed grinding and homogenization. It can effectively improve the grinding efficiency and quality, reduce labour cost, reduce the error of manual operation, and at the same time can avoid the risk of using liquid nitrogen and other external freezing methods. SCIENTZ Bio has launched **12, 24, 48, 96 and 192 throughput** tissue mills, and for heat-sensitive samples, a **frozen high-throughput tissue mill** is also available



Fridges & Freezers

A wide variety of fridges and freezers with various capacities to fit your application and lab space
Excellent Temperature stability
-40°C/-25°C and 2-10°C available
Small under bench to triple door units to choose from



Freezers Ultra Low

-86 Ultralow Freezers in variety of sizes
58L up to 838L units
Upright and Chest Freezer type





Homogenizers/ MultiTube Homogenizers

Analogue 6 up to 10 speed options available to cover 8000 to 40000 RPM

Volumes from 0.1m up to 5000ml can be covered depending on model

For use on Solids / Liquids / oils

Max viscosity 10000mPa

**SPECIAL MULTI TUBE
OPTIONS AVAILABLE**



Mini Homogenizer

Handheld battery operated

Plastic disposable or stainless steel pestles

Ideal for eppies and small tubes



Hotplate Stirrers

Various sizes according to your specific lab requirements

Single or multiple position options available

Digital

Up to 550°C

Include Temp Probe



Ice Makers

Available in variety of sizes

Flakers or cube type



Incubator Shaking

Large variety

Bench top to multi layer

Heating and cooling



Incubator - Constant Temperature

Various size options available

Glass inner doors

Large temperature range can be covered from 0 °C to 70°C

depending on requirements

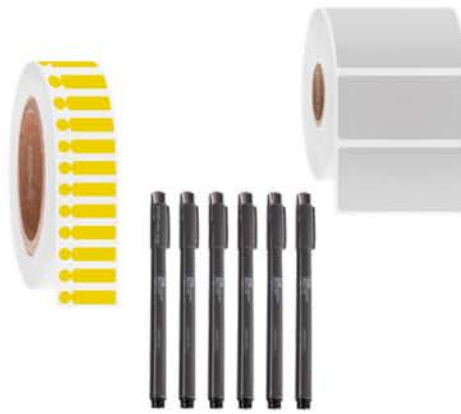
Digital

Excellent temperature stability



Incubators CO₂

Various Models and Sizes
Water and Air Jacketed options available
Sterilization options available



Labels & Labelling Solutions

Full range of laboratory labels designed and patented by GA-Labtag International
Cryo labels/ Chemical Resistant labels / Autoclave labels
Also available printer and lab software



Laboratory Glassware Washers

Various sizes from underbench to double volume
Racks and accessories for all your glassware requirements
Optional drying functions



Laminar Flows

Various size options available
Vertical or Horizontal flow
For protection of samples against contamination



Loop Steriliser

Electronic infrared loop sterilizer for safe sterilization on the benchtop
Temperature of 830°C
Ceramic Heating tube 140mm long



Luminometer

Lumi – Single Tube Luminometer is a small luminescence measurement device with a small and compact design. It is a product that can measure light from chemiluminescence reaction more conveniently and more accurately using PMT procedure through a 7.0" touch LCD screen. .
Data can also be easily backed up via USB.



Magnetic Stirrers

Various sizes according to your specific lab requirements
Single or multiple position options available
Analogue or digital

Micro Volume Spectrophotometers

Minimum sample volume 1µl
Cuvette and microvolume sample
Measurement of single wavelength as well as spectrum analysis using spectrometer technology
Simple and miniature design
Stand-alone system with easy-to-use 7.0" LCD touch screen
Simple data backup using USB
Modes: DNA/RNA, protein, cells, end point, kinetic, spectrum



Micropipettes

Single and multi-channel manual adjustable pipettes
All universal tips fit the pipettes
Fully autoclaveable at 121°C
Carroussel or linear stands available



Microscopes

Compound / Stereo/Inverted
Routine And Research
Microscopes
Microscopes used in Pathology and Routine Diagnostic work
With or Without camera
With or Without Fluorescence



Microtitre Mixer

Analogue Speed Control
Orbital shaking 0-1500 RPM
Wide range of optional
Accessories



Moisture Analyzer/Balance

Various Models
LCD and Touch options
Heating 40°C to 199°C
RS232 /USB Interface



Microbial Growth Curve Analyzers

MGC Series Microbial Growth Curve Analyzer covers the differentiated cultivation needs of different microorganisms, whether they are oxygen-dependent aerobic bacteria, micro aerobic bacteria that prefer low oxygen environment, or even oxygen-sensitive strict anaerobic bacteria, all of them can realize their growth and proliferation under the appropriate cultivation environment.

It is a **fully automated instrument**, which can realize real-time detection of microbial growth under different culture temperatures, different gas environments, different shaking conditions and different light combinations, and automatically draw growth curves, providing a powerful aid for microbial research such as fine-tuning of cultivation conditions, exploring the performance of different strains, and evaluating the sensitivity of antibiotics.

Moreover, the whole process of testing does not need to be guarded, no need to take samples frequently, completely eliminating the risk of contamination, saving time and labour.

Featured functions:

- Air Control System
- High Speed Vibration
- Full Spectrum Scanning
- Long Life Xenon Lights Lighting function
- High Precision Temperature control
- Simple and Easy to use



Ovens - Drying

Various Models
Convection, Fan options and
Vacuum ovens
Temperature ranges up to
400°C



Overhead Stirrers

20litre and 40 Litre options
Speed range :50-2200 RPM
Comes Standard with Universal
Plate Stand and Cross Stirrer



PCR Hoods

Dead box or HEPA filtered
options
Benchtop or stand options
UV sterilization



Peristaltic Pumps

Various models and heads to
select from
Flow rates from 0.007 ml/min up
to 2280ml/min
Accessories available



pH Meters

Benchtop and portable pH meters as well as other chemistry meters are available
 Electrodes to suite various applications
 Buffers for calibration



Plate Reader - Byonoy

World's smallest 96 well plate reader
 Free software
 Absorbance method with endpoint and Kinetic detection modes
 Evaluation modes :Quantitative, Qualitative
 Regression Methods Point-to-Point, linear , 4PL and 5PL
 No



Pro Pipette Fillers

Electronically controlled pipette filler
 Works with Glass and Plastic pipettes 0.1 – 100ml
 Max aspirate speed 25ml/s
 LCD display
 Low Battery indicator
 Adapter is fully autoclaveable
 Includes 2 filters, Battery charger and docking station as standard accessories



Refractometers

We have a range of refractometers to test both Specific Gravity and Brix
 We offer portable units as well as digital benchtop instruments



Rotary Evaporators

Vertical or Diagonal unit with autolift
Baths available in 5 liter or 10 liter
Comes standard with Glassware set



Scale

We offer a full range of scales
Platform , Precision , Benchtop
and floor standing options



Shakers

Orbital, linear and rocking
shakers with accessories
Analogue and digital options
Speed range of up to
500Rpm – model dependant
Weight of up to 10Kg – model
dependant

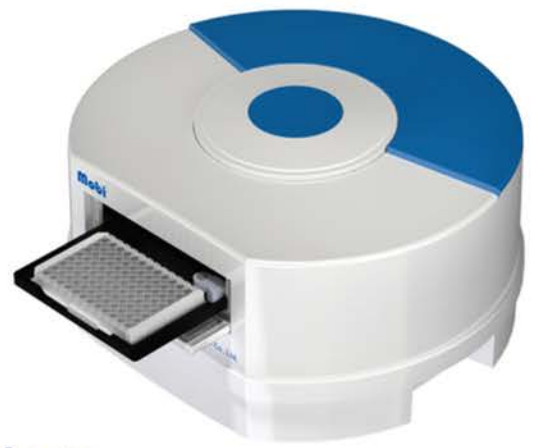
Slide Dryers

Various models available
Flat or angled options



Sonicator - Ultrasonic Homogenizer

Large TFT screen Display, Touch control
Login Password Protection System for
data security
Various probe sizes available
The ultrasonic power can be adjusted
continuously
The program has over-
temperature/delay/fault protection alarm
Sound-proof Chamber included



Spectrophotometers

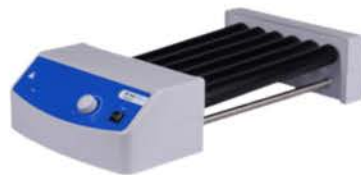
Visible and UV Spectrophotometers
for 10mm Cuvettes
Wavelength from 200 – 100nm –
model dependant
LCD Display
Single beam / Double Beam and
Microplate units

Stomacher Homogenizer



3-400ml Samples capacity
Sturdy and reliable
Paddle Blending action
Work with any stomacher bags

FDA



Tube Rollers

6 Rollers
Analogue or Digital
Adjustable speed up to 70RPM
Continuous or timed

Syringe Pumps

Various models to
accommodate variety of
syringes
Large selection volumes



Thermometers

Various temperature range options
Waterproof models available
Infrared, large display, probe and
pocket types



Turbidity Meters

Offered in both portable units as well as benchtop models.



Ultrasonic Cleaners

Various Sizes 3 litres up to 36 litres
Heating and Auto-Degas function
Accessories includes



Ultrasonic DNA Shearing (Non-Contact)

The ultrasonic DNA shearing instrument uses an isothermal and non-contact method to shear, homogenize and mix samples. The maximum processing capacity at one time is 18 samples, and the minimum volume is 5 μ l. For laboratories that need to process multiple samples or precious samples every day, it has the advantages of high processing throughput, low sample loss, and no cross-contamination.

It has gradually become an indispensable standardized tool for ChIP (Chromatin Immunoprecipitation) and DNA shearing research platforms



Vacuum Pumps

Diaphragm and oil pumps available
Various options for specific applications



Visco Meters

Large range of viscometers to test the viscosity of samples
Offer options to cover a large viscosity range



Vortex Mixers

Vortex Mixer with attachments available as single vortex or multiple tube vortex
Analogue and Digital options
Continuous/Touch Operation
Speed range from 0-3000 Rpm depending on model
Various optional adapters



Water Baths (Traditional & Cooling)

Various sizes available
Heated and cooled options
Unstirred, circulated or shaker options
Thermostatic water baths ranging from -80 °C to +220°C
Perfect temperature control



Water Purifiers

Laboratory water purification systems for Type I and Type II water production
Various modes and sizes
Media preparation to Ultrapure available
Affordable filters
Made by Boeco Germany

CULTURE MEDIA



We are proud suppliers of Biolab culture media!

Biolab offers guaranteed high-quality products at an affordable price. Their product range includes culture media, supplements and antimicrobial susceptibility discs manufactured under the ISO 9001-2000 quality assurance system.

They are the biggest Hungarian supplier for microbiological laboratories in health care, food and water microbiology, mineral water and soft drinks, university and scientific research, and veterinary and pharmaceutical industries.



biolab
FOR SPLENDID ISOLATION

BLOOD COLLECTION CONSUMABLES



Blood Collection Tubes

Available with a variety of additives to suit almost any application

Various size options



Erythrocyte Sedimentation Rate Test (ESR)

Completely closed system to help protect laboratory personnel from the risks associated with blood handling
2-part system features a Westergren Pipette and Reservoir Tube

Westergren pipette is composed of crystal polystyrene, 220mm long and 1mm increments over 150mm length and upper end has a polyethylene stoppered valve

Polypropylene Reservoir Tube consists of an upper pierceable stopper and thin diaphragm inserted into a clear lower vial containing sodium citrate anticoagulant



Sample Needles & Accessories

Sterile, pyrogen free, non-toxic
Multi-sample, blood collection and safety blood collection needles

Available in a variety of gauges
Tube holders (Bulldogs) available



Lancets

Auto safety lancets and traditional twist off tip lancets available



Sharps Containers

Transparent cap for content visualization

FDA (USA) approved

Made of tough, puncture resistant polypropylene
Safe to incinerate and environmentally friendly

Cap locks to base

Maximum fill line

Wide top aperture with

integrated needle extractor

Sizes ranging from 500ml to 13litre



Tourniquets

Secure elastic tourniquet with clip for reliable blood flow control

FILTRATION CONSUMABLES



Benchkotes

Absorbent, impermeable material designed to protect laboratory surfaces against hazardous spills
Available as sheets or rolls



Filter Paper

Full line of high quality laboratory filtration papers including qualitative and quantitative filter papers, glass fiber and membrane filters for extraction thimbles and a variety of specialized applications



Blotting Paper

Applicable to various blotting techniques
Tested to ensure high and uniform capillary actions
High wet strength for safe handling



Syringe Filters

Nylon, CA, PTFE, PVDF, MCE and PES options
Range of pore and diameter sizes available
Offered as sterile or non-sterile



Filtration Systems

We offer a variety of glass filtration sets and Stainless steel manifold sets

GLASSWARE



Laboratory Glassware

Full range of glassware for liquid handling including beakers, cylinders, flasks, burettes, test tubes, funnels and more
Various size options



McCartney Bottles

Made of borosilicate glass
Aluminum or plastic screw caps available
Narrow, clear and wide mouth bottles available
Numerous size options



Media (Schott) Bottles

Clear and amber available
Autoclavable Polyethylene screw cap and pouring ring
Bottles are manufactured with Boro 3.3
Clear white graduation marks and large marking area
Various size options



Pasteur Pipettes

Available plugged and unplugged
Various size options



Polytop Vials

Supplied with push-in stopper
Various size options



Slides & Coverslips

Slides available as single or double frosted; ground, cut or beveled edge; or clipped corners
Coverslips available in a variety of sizes



Thermometers

Various temperature ranges available

GLASSWARE



Capillary Tubes

ISO9001 compliant
Heparinized and non-heparinized options available



FluoroDish

Optical quality glass bottom for better imaging quality
Low sample volume for expensive chemicals
Lowest access angle for micropipette
Low toxicity adhesive for embryo research



HPLC/GC Vials

Variety of sizes and cap options to suite any application
Micro inserts available



Milk Analysis

As proud distributors of Funke Gerber, we offer an extensive range of milk analysis glassware, including butyrometers, hydrometers, milk pipettes and more

FUNKE GERBER



HARDWARE



Eye Wash Stations

Wall mountable, plastic and metal case options
Variety of stations to choose from



Labware Brushes

Nylon and bristle options available
Brushes for a variety of applications, available in various sizes



Spatulas & Forceps

Wide range of stainless steel spatulas and forceps available for a variety of applications



Magnetic Stirrer Bars

Range of size options available



Swabs

Plastic or wooden shaft
Individually wrapped or bulk
Variety of transport media



Scalpels & Blades

Sterile disposable blades and scalpel handles
Various blade sizes available

HARDWARE



Urine Test Strips & Rapid Tests

Rapid tests for a variety of applications
Urine test strips - 10 parameter



Weigh Boats

Antistatic weigh boats available in varying shapes and sizes



Autoclave Tape

Available in 12mm, 18mm and 24mm rolls of 50m



Cryoboxes

Cardboard and plastic options
Available with or without grid
81 or 100 place



TLC Plates

Aluminum foil backed high-purity thin-layer chromatography silica gel powder as adsorbent
20x20cm



Cotton Wool & Paper Towels

Absorbent and non-absorbent cotton wool
Soft and absorbent paper towel rolls - 210mm x 1000m

MOLECULAR PLASTICS



Cell Culture Plates, Flasks & Dishes

6-96 well cell culture plates
T25, T75, T175 cell culture flasks
available with vented or sealed cap
35 and 60mm cell culture dishes



Cryovials

Internal or external thread
2ml and 5ml available



Cell Scrapers

Sterile Individually wrapped
13 x 250mm cell scraper,
natural color, EO sterilization
20 x 300mm cell scraper,
natural color, EO sterilization



Filter Tips

Racked and sterile filter tips available
in 10-1250ul
*Unfiltered racked tips also available



PCR Consumables

RNase/DNase free half skirted
PCR plates, 8-strip tubes with
flat cap and PCR tubes
PCR sealing film



RNase/DNase Free Tubes

Sizes up to 50ml
Snap-on and screw cap
tubes available



Serological Pipettes

RNase, DNase free
Available in 1-50ml

PLASTIC CONSUMABLES



Autoclave Bags

Clear and red options
Various sizes available



Cuvettes

Micro and Macro
optical clear
polystyrene plastic
cuvettes



Microplates

Individually wrapped
Sterile
U-bottom and flat bottom available



Pasteur Pipettes

Graduated
Sterile individually wrapped
and bulk options
Various sizes available



Petri Dishes

Sterile
65mm and 90mm options



Racks & Boxes

Tip boxes and tube racks
available in various sizes and
colours to suit any application

PLASTIC CONSUMABLES



Slide Storage Boxes

50 and 100 place options
Various colours available
with metal or plastic clip



Specimen Containers

Polypropylene or polystyrene
Labeled options
Various sizes and cap colours
available



Syringes

Non-toxic, non-pyrogenic, latex-free, hypo-allergenic
Luer slip and luer lock available
Sizes ranging from 1ml - 50ml



Pipette Tips

Universal fit tips
Sizes ranging from 10ul to 10ml



Centrifuge Tubes

Sizes ranging from 0.2 - 50ml
Self standing tubes available in 50ml
Screw and snap-on cap options



Wash Bottles

Red and white cap options
Durable polyethylene material

GLOVES

Nitrile Gloves

Three times the puncture resistance of latex and offers excellent protection
Superior dexterity, especially helpful with fine delicate work
waterproof, greaseproof and oil proof
Full finger textured and palm textured for optimum grip and use of intricate tools
Contain no latex proteins or accelerators
*Colour options available on request



Latex Gloves



Sensitivity to touch
Superior dexterity, especially helpful with fine delicate work
Ambidextrous
Effective protection in high-risk scenarios.
Powder-free
Biodegradable
Conforms to international standards
Supplied as non-sterile, include a beaded cuff design, and textured easy-grip surface.

Why Golden Hands range of disposable gloves



For 15 years, Golden Hands has proudly reigned as South Africa's top gloves brand



Offering unbeatable value for money



Our gloves provide exceptional quality and durability without compromising affordability



Join the countless satisfied customers who have trusted Golden Hands for the perfect balance of value and performance



Email: info@jlwsupplies.co.za

Tel: 021 300 2156

www.jlwsupplies.co.za